

Installation and User Manual



Index

A. Introduction	5
B. Recycling	5
C. Important Safety Notes	5
D. Installation	7
- Wall Mounting	8
- Warranty	9
E. Technical characteristics	9
F. Use of the Radiator	9
G. First Installation	10
H. Operating Modes	10
I. Weekly Schedule	11
J. Special functions	14
K. Problem resolution	16
L. Eco Design	16

Simple Programming Guides	17-19
----------------------------------	--------------

A. Introduction

Firstly we would like to thank you for purchasing this product. Your business is much appreciated and we trust that this equipment will provide many years of use and deliver full satisfaction. Before proceeding to the installation, you should read all the instructions and recommendations detailed in this instruction manual, since the manufacturer will not be responsible for any breakdown or damage caused by misuse. Once your electric radiator is installed, keep this manual in a safe place so that it can be consulted at any time.

B. Recycling



Warnings for the correct disposal of the product as established by the European Directive 2012/19 / EU. At the end of its useful life, the product should not be disposed of together with urban waste. It can be delivered to specific recycling centres or to distributors that can facilitate this service. Removing a household appliance separately means avoiding possible negative consequences for the environment and health resulting from improper disposal and recycling of the materials and components, thus obtaining significant savings in energy and resources. To underline the obligation to collaborate with a selective collection, the product shows the marking that this product includes warning signs to confirm the non-use of traditional disposal methods.

For more information, contact your local authority or the store where you purchased this device.

C. Important Safety Notes

The installation of the heating device must be chosen correctly and must be carried out according to the rules and in accordance with the installation guides included in the manual.

The equipment should be kept away from any flammable objects and children should not be left near the appliance without being supervised. Children under 3 years of age should be kept out of the reach of the appliance unless they are continuously supervised.

Children from 3 years old to 8 years of age should only switch the appliance on / off as long as it has been placed and installed in its normal operating position. They must also be supervised or have received instructions regarding the use of the appliance in a safe and secure manner and understand the risks of a heating device. Children from 3 years old to 8 years old should not plug, operate, clean or perform maintenance operations.

This device can be used by children aged 8 years and above including people with reduced physical, sensory or mental abilities or lack of experience and knowledge providing they have been given appropriate supervision or training regarding the use of the device in a safe manner and understand the dangers involved. Children should be supervised to ensure they do not play with the device.

Cleaning and maintenance to be performed by the user, should not be performed by children without supervision.

Caution: some parts of this product can get very hot and cause burns. Particular attention must be paid when children and vulnerable people are present.

The equipment must under no circumstances be covered by clothing, container or any other object, nor placed under a cabinet or any other obstacle that prevents the circulation of hot air.

WARNING:

To avoid overheating, DO NOT COVER the heating appliance.



The heating appliance must not be placed immediately below a socket outlet.

Avoid the use of extension cords as these can cause overheating and cause a fire risk. However, in case of using an extension cord, the cable must be the minimum size 14 AWG and with a power no less than 2500w.

The connecting cables of the heater itself must not come into contact with the surface of the appliance, and in the event that they can come into contact with each other, they must be protected with an insulating cover having an adequate temperature level.

The equipment must not be installed in places where there is a risk of splashing water, such as bathtubs, washbasins, etc.

The equipment must be installed so that the switches, thermostat, outlet cannot be touched directly or indirectly by a person in the bathtub or shower (respect the distances of prohibition according to RBT).

In case the power supply cable is damaged, it can only be replaced by the Technical Assistance Service, in order to avoid risks.

Always respect the safety measures when fixing the device on the wall.

The electrical installation must have a switch with a fuse and magnetic protection. Likewise, a differential protection against ground faults is advisable. The voltage and frequency values of the electricity network must be the same as those indicated on the nameplate.

It is possible that the radiator may produce slight noises at the beginning of its operation which is normal due to the expansion and contraction of aluminium. With a few times of operation, the noise should disappear.

D. Installation

Before installation

Once unpacked, the packaging must be removed in a responsible manner since all the elements have been designed for recycling. If once unpacked you detect damage to the appliance, you should consult the supplier before proceeding with the installation and electrical connection within 24 hours of receipt.

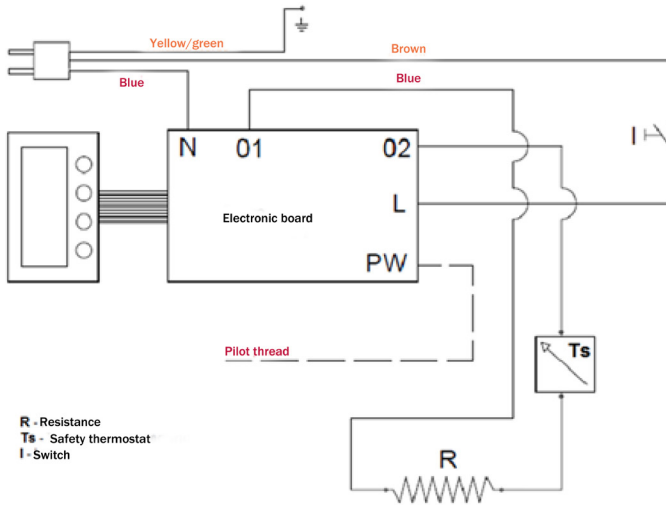
Very Important

- Read the installation manual before assembling the equipment.
- Read the user manual to operate the equipment.
- Observe the warnings carefully.
- Install the equipment in a place where the air can fully circulate.
- It is advisable to be assembled by an individual with DIY skills or qualified electrician.



Electric Connection

- If you decide to remove the 3 pin plug from the power cord then you must follow the instructions below regarding the electrical installation and the connection must be made by a qualified installer.
- If the electrical connection is spurred to a mains electric supply then it must be installed in accordance with the installation regulations in force in the country in which it is to be fitted.
- For safety reasons, verify that there is no voltage in the network prior to connecting the device to the mains.
- Before connecting the appliance to the mains it must be ensured that the supply voltage is within the range indicated on the 220 - 240V nameplate.
- The device must be connected to the protective conductor of the fixed installation.
- Any incident arising from the breach of these instructions will invalidate the guarantee.
- For the electric connection please take close note of the electrical diagram with special attention to the colours of the cables.
- If the power cord is damaged, it must be replaced by the manufacturer, its after-sales service or by a similar qualified personal so that the user is not in danger.



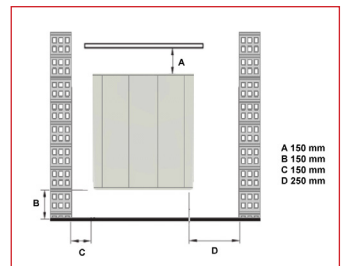
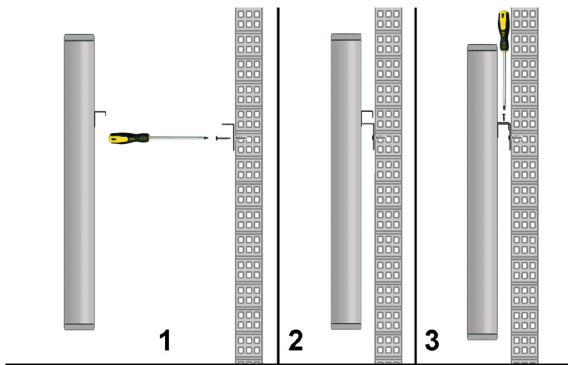
Wall Mounting

The supplier will provide an installation kit inside the packaging consisting of the following elements:

- Fixing brackets
- Template
- Screws and wall plugs

Follow the steps illustrated below to hang and install your radiator:

1. Remove the radiator from its packaging and choose where to hang it.
2. Note that the minimum distances required around the radiator.
3. Use the cardboard guide on the lid of the box to place it at the correct height.
4. We suggest that you use a spirit level to ensure that the radiator is positioned correctly.
5. Using the holes as a guide, mark the holes that are needed.
6. Using a drill, drill the holes for the plugs appropriate to the type of wall.
7. Place the radiator brackets in place using the supplied screws, washers and wall plugs.
8. Bring the radiator to the wall and hook the grooves at the back of the radiators through the corresponding holes on the wall brackets.
9. Hang the transmitter and fix it with the screws.



Warranty

The company offers an electronics guarantee for the period of 2 years.

In order for this guarantee to be valid, you must submit the original of the invoice, delivery note or purchase receipt.

Previous requirements:

- The warranty only covers manufacturing defects or any problem caused by such defects.
- All problems resulting from insufficient installation or power (e.g. not enough power to heat the room, incorrect installation, etc.) are not covered by this warranty.
- This radiator is for domestic use, installation in any other environment is not guaranteed.
- The manufacturer reserves the right to decide whether to repair any defective parts or replace all the equipment.
- All costs resulting from damages caused by incorrect use, transportation, inappropriate power supply, are not covered by this guarantee.

E. Technical characteristics

Measured temperature precision	0,1°C
Environmental: - Operating temperature - Shipping and storage temperature	0°C - 40°C -10°C to 50°C
Setting temperature range - Comfort - Reduced	5°C a 30°C each 0,5°C step 5°C a 19°C each 0,5°C step
Maximum load (resistive only)	10A
Supply voltage	230 Vac +/- 10% 50 Hz
Software version	displayed in the user menu.
Norms and directives: Your thermostat was designed in accordance with the following Europeans norms and directives:	EN 60730-1 : 2013 EN 61000-6-1 : 2007 EN 61000-6-3 : 2007 EN 61000-4-2 : 2009 Low voltage 2006/95/EC EMC 2004/108/EC

F. Use of the radiator

Use of the range

Programming the digital controller in programming mode, will allow you to assign temperatures at different times of the day, proving you with the perfect heat delivery you need for each day.

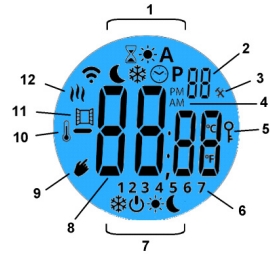
By having complete control of the heating delivery 24 hours a day / 7 days a week will allow you minimise wastage and running costs and help maximise energy efficiency.

Screen

The radiator has a programmable electronic thermostat with LCD screen specially designed to control different types of heating solutions.

1. Operating mode (Active mode framed).
2. Program number or parameter if "3" is activated.
3. Configuration menu.
4. Clock display (12h am / pm or 24h).
5. Indicates that the lock function is active.
6. Day of the week.
7. Icons for program creation.

8. Time or temperature display.
9. Temporary manual mode indicator if the AUTO function is activated.
- Flashes if the ITCS function is activated.
10. Ambient temperature indicator.
11. Active open windows function indicator.
12. Indicates that the equipment is heating up.



Keyboard

- On/Off ()
- Key to decrease (-)
- Key to increase (+)
- Validation key (OK)
- Move to the right (>)



G. First installation

Energy supply

Connect the electric cable to the radiator and turn the master On/Off rocker switch underneath the radiator into the 'On' position. In its first use, the digital control unit has an internal battery, which must be charged for a minimum of 24 hours to achieve full memory capacity to help retain the programme memory. Next you will be asked to adjust the time and date.

Setting the Clock

If you wish to skip this initial step then you can adjust the time in the future by navigating to the clock icon (see explanation on the next page).

Order to schedule the time and date:

1. Time and day:

Schedule the hours. Schedule the minutes. Schedule the day of the week (1 = Monday).

2. Date:

Schedule the day of the month. Schedule the month (01 = January, 12 = December). Schedule the year.

Start

The thermostat is now ready to work. The default mode is Comfort. At any time, when the light is off, press OK, "-", "+" or ">". Press OK and then press a second time to display the set temperature.

Stop/start of the radiator

Press the key to turn the device off or on. In the period when the electric radiator will be off, set the main switch to the Off position.

H. Operating modes

How can different programming modes be selected?

To select the operating mode:

- Use the navigation keys (>) to scroll through the different operating modes.
- Move the cursor to the desired operating mode and press (OK) to enter the selected operating mode



Timer mode

The timer mode allows you to adjust the temperature during a specific time period. This function can be used during your stay in the house for several minutes, hours or days, or if you want to cancel the program at some point. If you want to stop the timer function before it ends, set the duration period to "no" with the (-) key.

- Press the (+) key and the timer will change from "no", 00:15, 00:30, 00:45, 1:00, 2:00, ... 23:00, 1d, 2d, ... 44d.
- Press OK to confirm.
- Afterwards, the desired room temperature can be programmed with (-) or (+), press (OK) to start the function (default value 24°C).

The logo flashes and shows the number of hours / days remaining until the end of the period.

Comfort mode

Use the comfort mode to select the perfect temperature in a room when you are present (e.g. daytime temperature). By default the comfort temperature is 21°C, by pressing the (-) or (+) keys the temperature starts to flash the temperature can be adjusted. The comfort mode sets the comfort temperature for all pre-set programs.

Setting Comfort Mode: The Comfort mode represents the higher temperature required when you most need a heat source during a 24 hour period. For example when you wake in the morning or in the evening when you return to your home.

- 1) Press the '>' button twice to activate the row of icons at the top of the screen.
- 2) Press the '>' button to move across to the 'Sun' icon (next to the moon crescent icon) and press 'OK'.
- 3) Press the '+' and '-' buttons to select the correct temperature for your Comfort mode followed by 'OK'.



Reduced mode (economy)

Use the reduced mode to maintain the minimum room temperature outside the temperature you want the comfort temperature (e.g. night time or during the time you are away from the home). The default economy mode temperature is 19 °C. It is used for stays where we are not usually, while we sleep, etc. If the economic temperature is modified, it will be modified in all the pre-set programs. By pressing the (-) or (+) keys the temperature starts to flash and can be adjusted.

Setting Reduced Mode: The Reduced mode represents the lower temperature setting required when you least need a heat source during a 24 hour period. For example during the night or when you are away from your home.

- 1) Press the '>' button twice to activate the row of icons at the top of the screen.
- 2) Press the '>' button to move across to the 'Moon Crescent' icon (next to the sun icon) and press 'OK'.
- 3) Press the '+' and '-' buttons to select the correct temperature for your Comfort mode followed by 'OK'.

Override mode

In this mode, the thermostat will follow the program selected (configured from the factory settings or you own bespoke programme). You can override the current temperature of the program by changing its value with (-) or (+). The current setting temperature will flash and the hand image  will be displayed to represent a temporary override of the target temperature. The original temperature settings will be returned once the programme reaches the next change in the programme cycle. If the hand image flashes  then ITCS (Intelligent Temperature Control System) is activated.

Antifreeze mode

Use this mode if you want to protect your system against freezing when you go on holiday or for periods away from the property. It is useful for homes in very cold or high mountain areas, to protect the pipes from possible breakages and prevent the property from falling below 5°C or the temperature you set.

Setting the Clock

- 1) Press the '>' button twice to activate the row of icons at the top of the screen.
- 2) Press the '>' button repeatedly to move across to the 'clock' icon (next to the 'P' icon) and press 'OK'.
- 3) Use the '+' and '-' buttons to select the correct hour and then press 'OK'.
- 4) Continue through the clock settings using the '-' and '+' buttons followed by 'OK'. These include the day of the week 1-7, day of the month, month of the year and year date respectively.

I. Weekly schedule

Select the mode **P** with the scroll keys.

You must choose the program number with (-) or (+). You can choose between built-in factory program P1 to P9 are not modifiable as they are the factory pre-set modes however a user program U1 to U4 is modifiable and customizable to help deliver the perfect heating solution to fit your lifestyle. Once the program has been selected, press OK to confirm.



If you choose an integrated pre-set program (P1 to P9) you are unable to modify it.

- P1, Comfort mode in:

Weekdays: from 07:00 to 09:00 h and from 17:00 to 23:00 h.

Weekends: from 08:00 to 23:00 h.

- P2, Comfort mode in:

Weekdays: from 07:00 to 09:00 h, from 12:00 to 14:00 h and from 18:00 to 23:00 h.

Weekends: from 08:00 to 23:00 h.

- P3, Comfort mode in:

Weekdays: from 06:00 to 23:00 h.

Saturday: from 07:00 to 24:00 h.

Sunday: from 00:00 to 01:00 h and from 07:00 to 23:00 h.

- P4, Comfort mode in:

Weekdays: from 15:00 to 23:00 h.

Saturday: from 07:00 to 24:00 h.

Sundays: from 00:00 to 01:00 h and from 07:00 to 23:00 h.

- P5, Comfort mode in:

Weekdays: from 06:00 to 08:00 h and from 21:00 to 23:00 h.

Saturday: from 07:00 to 09:00 and from 18:00 to 24:00 h.

Sunday: from 07:00 a 09:00 h and from 18:00 to 23:00 h.

- P6, Comfort mode in:

Weekdays: from 06:00 to 08:00 and from 14:00 to 21:00 h.

Weekends: from 07:00 to 21:00 h.

- P7, Comfort mode in:

Weekdays: from 07:00 to 19:00 h.

Weekends: Inactive.

- P8, Comfort mode in:

Weekdays: from 08:00 to 19:00 h.

Saturday: from 08:00 to 18:00 h.

Sunday: Inactive.

- P9, Comfort mode in:

Monday: from 00:00 to 07:00 h.

Tuesday – Thursday : Inactive.

Friday: from 13:00 to 24:00 h.

Weekends: from 00:00 to 24:00 h.

Setting a Built-in Heating Programme

When setting your built-in heating programme your electric radiator will need to know when you want the 'Comfort Mode' (higher) temperature and when you want the 'Reduced Mode' (lower) temperature, through a 24 hour cycle beginning at midnight. The radiator will run the 'Comfort Mode' whilst the programme is active, and outside of these times your radiator will run on the 'Reduced Mode'.

To set the temperatures of each mode please refer to "Setting the 'Comfort' and 'Reduced' Modes".

How to programme your Built-in Heating Programme

1) Press the '>' button twice to activate the row of icons at the top of the screen.

2) Press the '>' button to move across to the 'P' icon (next to the clock icon) and press 'OK' and a letter and number will be displayed.

3) Press the '+' button through the pre-programmed settings from P1 to P9 until you reach your chosen programme and press 'OK'


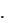
If you choose a user program U1 to U4, you can choose the program and see it but you can also customize it.

Default setting:

- U1, U2, U3, U4 = In comfort mode throughout the week.

- To customize a user program, press the validation key (OK) for 2 seconds until the following figure appears.

How to create a bespoke user program:

- The configuration of each phase can be set at intervals of 30 minutes.
- The creation of the program always starts on day 1 (Monday).
- The key (>) changes between the REDUCED (ECO) mode  and the COMFORT mode  at the time displayed.



The (+) key increases the time in 30 minute intervals maintaining the selected mode. Once you have reached the time you want to change the mode, press the scroll key (>).

- Set all the hours until you reach 24:00 then the COPY screen will appear, select with the key (+) for the days you want to copy the program. Press the (OK) key and with the (+) keys select "YES" if you want to copy them or "NO" if you do not want to copy them, press (OK) to confirm.
- Once the previous operation have been carried out, you will move to the next day and repeat the operation described until the last day of the week (day 7).



After validating the seventh day, the system automatically returns to AUTO mode.

Setting a Bespoke Heating Programme

When setting your bespoke heating programme your electric radiator will need to know when you want the 'Comfort Mode' (higher) temperature and when you want the 'Reduced Mode' (lower) temperature, through a 24 hour cycle beginning at midnight. For example you may want the Comfort Mode from 7am to 9am for morning heat and 6pm to 10pm for evening heat. Alternatively if you are at home all day then you may want your Comfort Mode to run from early morning (e.g. 7am) through to the evening (10pm). Outside of these times your radiator will run on the Reduced Mode.

Temperature Override Mode: If you are running a programme and you wish to temporarily increase the target temperature then simply press the '+' button until you reach your desired temperature. The override mode will continue until the next change in the programme where it will automatically revert back to the previous settings.

To set the temperatures of each mode please refer to "Setting the 'Comfort' and 'Reduced' Modes".

How to programme your Bespoke Heating Programme

- 1) Press the '>' button twice to activate the row of icons at the top of the screen.
- 2) Press the '>' button to move across to the 'P' icon (next to the clock icon) and press 'OK' and a letter and number will be displayed.
- 3) Press the '+' button through the pre-programmed settings from P1 to P9 until you reach 'U1'.
- 4) Press and hold 'OK' and you will see the start of the timer '00:00'.

Then proceed to option 'a', 'b' or 'c' below:

a) Programming the Comfort Mode once a day (e.g. heating from morning through to evening)

- 1) Press and the '+' button repeatedly until you reach the time you want your Comfort Mode to begin and press '>' to select the 'sun' icon at the bottom of the screen.
- 2) Press the '+' button until you reach the time you want your Comfort Mode to end.
- 3) Press the '>' button to change the icon at the bottom of the screen to a moon crescent and press the '+' button repeatedly until you reach the end of the day and 'COPY' will be displayed.
- 4) Press the '+' button repeatedly to reveal all 7 days at the bottom of the screen and press 'OK' twice.
- 5) Your programme is set and 'Auto' and 'U1' will be displayed at the top of the screen.

b) Programming the Comfort Mode twice per day (e.g. morning heating and evening heating)

- 1) Press the '+' button repeatedly until you reach the time you want your first Comfort Mode to begin and press '>' to select the 'sun' icon at the bottom of the screen.

- 2) Press the '+' button until you reach the time you want your first Comfort Mode to end.
- 3) Press the '>' button to change the icon at the bottom of the screen to a moon crescent and press the '+' button until you reach the time you want your second Comfort Mode to begin.
- 4) Press '>' to select the 'sun' icon at the bottom of the screen and press the '+' button until you reach the time you want your second Comfort Mode to end.
- 5) Press the '>' button to change the icon at the bottom of the screen to a moon crescent and press the '+' button repeatedly until you reach the end of the day and 'COPY' will be displayed.
- 6) Press the '+' button repeatedly to reveal all 7 days at the bottom of the screen and press 'OK' twice.
- 7) Your programme is set and 'Auto' and 'U1' will be displayed at the top of the screen.

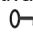
c) Programming the Comfort Mode three times per day (e.g. morning heating, daytime heating and evening heating)

- 1) Press and the '+' button repeatedly until you reach the time you want your first Comfort Mode to begin and press '>' to select the 'sun' icon at the bottom of the screen.
- 2) Press the '+' button until you reach the time you want your first Comfort Mode to end.
- 3) Press the '>' button to change the icon at the bottom of the screen to a moon crescent and press the '+' button until you reach the time you want your second Comfort Mode to begin.
- 4) Press '>' to select the 'sun' icon at the bottom of the screen and press the '+' button until you reach the time you want your second Comfort Mode to end.
- 5) Press the '>' button to change the icon at the bottom of the screen to a moon crescent and press the '+' button until you reach the time you want your third Comfort Mode to begin.
- 6) Press '>' to select the 'sun' icon at the bottom of the screen and press the '+' button until you reach the time you want your third Comfort Mode to end.
- 7) Press the '>' button to change the icon at the bottom of the screen to a moon crescent and press the '+' button repeatedly until you reach the end of the day and 'COPY' will be displayed.
- 8) Press the '+' button repeatedly to reveal all 7 days at the bottom of the screen and press 'OK' twice.
- 9) Your programme is set and 'Auto' and 'U1' will be displayed at the top of the screen.


J. Special functions

Keypad lock

You can prevent changes to the programme by blocking the control keyboard. This function is very useful for public buildings or where children may have access.

- To activate the key lock function, press simultaneously, for 1 second "-" and "+".
- The "  " image will be displayed on the screen.
- Repeat the same procedure to unlock.

Open windows function

This function allows the radiator to be stopped automatically when an open window is detected. When this feature is enabled, the icon  appears in the upper left of the screen.

If the system detects a sudden fall of approximately 3 ° C, the heating is stopped for a period of 1 hour. The icon will flash and the temperature measured by the thermostat. Pressing any button will stop the detection of open windows. The radiator will function normally again and the detection of open windows is restarted.



Electric consumption

Select the menu  with the scroll key (>).

In this screen you can see the electricity consumption in KWh. You can see the consumption in the last 24 h (1d) in the last week (7d) and in the last month (30) by pressing the (+) key.

The emitter control computes the time in which the equipment has been heating up with the power of the equipment. To do this, the power value of the equipment must be correct (default 900 W), if this value is not the value of your equipment, you must amend it to the correct one. You can see how this value is modified in "Parameters menu", menu 10 (Pow) "Electrical power adjustment".



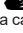

Parameter menu

Your thermostat has a configuration menu to adjust the parameters. To enter this menu, press and hold the validation key (OK) for 5 seconds.


Next, the configuration menu will appear and the screen will be displayed ----->
 Now you can select the parameters to be adjusted with the scroll keys, press the OK key to edit the parameter to be modified and change its value with (+) or (-), then confirm with (OK).



To exit the parameter menu, select the “End” parameter and press (OK).

N°	Default values and Other options
1	ProG: Screen type: simple or complete No: Simple Yes: Complete, all functions are available.
2	dEG: Unit of the temperatures shown ° C Centigrade ° F Fahrenheit
3	Selection of the clock unit 24H (24:00) 12H (12:00 AM / PM)
4	dSt: Summer time adjustment Yes: the automatic time change between summer and winter is automatically activated with the date. No: There is no automatic change of summer / winter time.
5	AF: Antifreeze temperature Adjustable from 0.5 to 10.0 ° C the factory default value is 5.0 ° C.
6	---: Calibration of the internal probe This adjustment, if necessary, should be carried out after a day of normal operation of the electric radiator, at a constant temperature. Please use the following steps: Place a thermometer (calibrated) in the centre of the room or room at an approximate height of 1.5m. After 1 hour check the temperature of your thermometer. Once the previous steps have been performed and the actual room temperature is known, you can enter the configuration mode in section 04 Calibration of the probe (temperature compensation adjustment). When entering this adjustment mode, it will display the temperature detected by its thermostat. If there is any difference between the temperature of the room and that which the electric radiator actually detects, you can adjust the temperature accordingly. Use the (-) or (+) keys to set the actual temperature value of the room. Then press (OK) to confirm. The icon  should appear, to inform you that a calibration setting on the probe is made and stored in the memory. If you need to delete a calibration already stored, press the key (◀) and the icon  should disappear. * Note: During calibration, only the equipment operated by the thermostat must be used.
7	ITCS: The intelligent temperature control system. The ITCS is a new intelligent regulation system, which assists the programming and heat delivery of the radiator. The radiator will be activated up to 2 hours in advance to ensure that the temperature of the room is reached at the start of the selected program. This system works in the following way: when you turn on the electric radiator for the first time and select a comfort temperature or a program, the ITCS system will measure how long it takes to reach the selected temperature or alternatively reach the comfort temperature from the reduce eco temperature. The ITCS system will continually measure the change in the room temperature during this period to help calculate the rate of temperature increase. The rate from one room to another will be influenced by external influences such as the insulation properties of the room, number of windows in the room, etc. Therefore, using the ITCS, you can set the Comfort or Economy mode to the precise temperature and time you require the room to be, and the radiator will do the rest.
8	Win: This feature allows you to automatically detect if a window is opened No: Deactivation of the function. Yes: Activate the function.
9	Chil: Adjustment of power percentage 25, 50, 75 or 100% of the rated power.
10	Pow: Adjusting the power of the electric radiator In this menu, you can choose the power value of your electric radiator to adjust the energy consumption of your radiator. Default: 900 W.
11	Clr: Reset factory settings Press the OK key for 10 seconds, if you want to reset the set temperatures and user parameters to the default settings. This function also restarts user programs. Make sure you have all the necessary information before making this reset.
12	Internal information to know the software version
13	End: Parameter menu output Press the (OK) key to exit the configuration menu and return to normal mode.

K. Problem resolution

My Thermostat doesn't work	
Power supply	- Check the power supply.
My Thermostat show an Error message "Err" blink on the display	
"Error" on sensor Note: For safety if there is a problem on the regulation sensor the regulation will be replaced by a rate of 5 % functioning.	The logo  and the text "Err" blinks. Error detected on the internal sensor - Contact your installer or seller.
My Thermostat seems work correctly but the heating doesn't work correctly	
Output	- Check the connections. - Check the power supply of the heating element. - Contact your installer.
My Thermostat seems work correctly but the temperature in the room was never in accordance with the program.	
Program	- Check the time of the clock. - Check the setpoints of the comfort temperature and the economical temperature. - Check that the duration of the program is not too short.

L. Eco Design

Item	Unit
Type of heat output/room temperature control	
Single stage heat output and no room temperature control	no
Two or more manual stages, no room temperature control	no
With mechanic thermostat room temperature control	no
With electronic room temperature control	no
Electronic room temperature control plus day timer	no
Electronic room temperature control plus week timer	yes
Other control options (multiple selections possible)	
Room temperature control, with presence detection	no
Room temperature control, with open window detection	yes
With distance control option	no
With adaptative start control	yes
With working time limitation	yes
With black bulb sensor	no
Contact information: see back cover	

Data			Value				
			SLIMLINE CURVE				
Item	Symbol	Unit	600	900	1.200	1.500	2.000
Heat output							
Nominal heat output	P_{nom}	kW	0,6	0,9	1,2	1,5	2
Minimum heat output (indicative)	P_{min}	kW	0	0	0	0	0
Maximum continuous heat output	$P_{max,c}$	kW	0,6	0,9	1,2	1,5	2
Auxiliary electricity consumption							
At nominal heat output	$e_{l,max}$	kW	0,6	0,9	1,2	1,5	2
At minimum heat output	$e_{l,min}$	kW	0	0	0	0	0
In standby mode	$e_{l,SB}$	kW	0,0012	0,0012	0,0012	0,0012	0,0012

Step by Step

Programming Guide Slimline Curve

Simple Programming Guides

Setting the Clock

- 1) Press the '>' button twice to activate the row of icons at the top of the screen.
- 2) Press the '>' button repeatedly to move across to the 'clock' icon (next to the 'P' icon) and press 'OK'
- 3) Use the '+' and '-' buttons to select the correct hour and then press 'OK'.
- 4) Continue through the clock settings using the '-' and '+' buttons followed by 'OK'. These include the day of the week 1-7, day of the month, month of the year and year date respectively.

Setting the 'Comfort' and 'Reduced' Modes

Setting Comfort Mode: The Comfort mode represents the higher temperature setting required when you most need a heat source during a 24 hour period. For example when you wake in the morning or in the evening when you return to your home.

- 1) Press the '>' button twice to activate the row of icons at the top of the screen.
- 2) Press the '>' button to move across to the 'Sun' icon (next to the moon crescent icon) and press 'OK'
- 3) Press the '+' and '-' buttons to select the correct temperature for your Comfort mode followed by 'OK'.

Setting Reduced Mode: The Reduced mode represents the lower temperature setting required when you least need a heat source during a 24 hour period. For example during the night or when you are away from your home.

- 1) Press the '>' button twice to activate the row of icons at the top of the screen.
- 2) Press the '>' button to move across to the 'Moon Crescent' icon (next to the sun icon) and press 'OK'
- 3) Press the '+' and '-' buttons to select the correct temperature for your Comfort mode followed by 'OK'.

Setting a Built-in Heating Programme

When setting your built-in heating programme your electric radiator will need to know when you want the 'Comfort Mode' (higher) temperature and when you want the 'Reduced Mode' (lower) temperature, through a 24 hour cycle beginning at midnight.

The radiator will run the 'Comfort Mode' whilst the programme is active, and outside of these times your radiator will run on the 'Reduced Mode'.

To set the temperatures of each mode please refer to "Setting the 'Comfort' and 'Reduced' Modes".

How to programme your Built-in Heating Programme

- 1) Press the '>' button twice to activate the row of icons at the top of the screen.
- 2) Press the '>' button to move across to the 'P' icon (next to the clock icon) and press 'OK' and a letter and number will be displayed.
- 3) Press the '+' button through the pre-programmed settings from P1 to P9 until you reach your chosen programme and press 'OK'
- 4) Please check the Instruction Manual to view the 9 factory heating programmes.

Setting a Bespoke Heating Programme

When setting your bespoke heating programme your electric radiator will need to know when you want the 'Comfort Mode' (higher) temperature and when you want the 'Reduced Mode' (lower) temperature, through a 24 hour cycle beginning at midnight. For example you may want the Comfort Mode from 7am to 9am for morning heat and 6pm to 10pm for evening heat. Alternatively if you are at home all day then you may want your Comfort Mode to run from early morning (e.g. 7am) through to the evening (10pm). Outside of these times your radiator will run on the Reduced Mode.

Temperature Override Mode: If you are running a programme mode and you wish to temporarily increase the target temperature then simply press the '+' button until you reach your desired temperature. The override mode will continue until the next change in the programme where it will automatically revert back to the previous settings.

To set the temperatures of each mode please refer to “Setting the ‘Comfort’ and ‘Reduced’ Modes”.

How to programme your Bespoke Heating Programme

- 1) Press the ‘>’ button twice to activate the row of icons at the top of the screen.
- 2) Press the ‘>’ button to move across to the ‘P’ icon (next to the clock icon) and press ‘OK’ and a letter and number will be displayed.
- 3) Press the ‘+’ button through the pre-programmed settings from P1 to P9 until you reach ‘U1’.
- 4) Press and hold ‘OK’ and you will see the start of the timer ‘00:00’.

Then proceed to option ‘a’, ‘b’ or ‘c’ below.....

a) Programming the Comfort Mode once a day (e.g. heating from morning through to evening)

- 1) Press and the ‘+’ button repeatedly until you reach the time you want your Comfort Mode to begin and press ‘>’ to select the ‘sun’ icon at the bottom of the screen.
- 2) Press the ‘+’ button until you reach the time you want your Comfort Mode to end.
- 3) Press the ‘>’ button to change the icon at the bottom of the screen to a moon crescent and press the ‘+’ button repeatedly until you reach the end of the day and ‘COPY’ will be displayed.
- 4) Press the ‘+’ button repeatedly to reveal all 7 days at the bottom of the screen and press ‘OK’ twice.
- 5) Your programme is set and ‘Auto’ and ‘U1’ will be displayed at the top of the screen.

b) Programming the Comfort Mode twice per day (e.g. morning heating and evening heating)

- 1) Press the ‘+’ button repeatedly until you reach the time you want your first Comfort Mode to begin and press ‘>’ to select the ‘sun’ icon at the bottom of the screen.
- 2) Press the ‘+’ button until you reach the time you want your first Comfort Mode to end.
- 3) Press the ‘>’ button to change the icon at the bottom of the screen to a moon crescent and press the ‘+’ button until you reach the time you want your second Comfort Mode to begin.
- 4) Press ‘>’ to select the ‘sun’ icon at the bottom of the screen and press the ‘+’ button until you reach the time you want your second Comfort Mode to end.
- 5) Press the ‘>’ button to change the icon at the bottom of the screen to a moon crescent and press the ‘+’ button repeatedly until you reach the end of the day and ‘COPY’ will be displayed.
- 6) Press the ‘+’ button repeatedly to reveal all 7 days at the bottom of the screen and press ‘OK’ twice.
- 7) Your programme is set and ‘Auto’ and ‘U1’ will be displayed at the top of the screen.

c) Programming the Comfort Mode three times per day (e.g. morning heating, daytime heating and evening heating)

- 1) Press and the ‘+’ button repeatedly until you reach the time you want your first Comfort Mode to begin and press ‘>’ to select the ‘sun’ icon at the bottom of the screen.
- 2) Press the ‘+’ button until you reach the time you want your first Comfort Mode to end.
- 3) Press the ‘>’ button to change the icon at the bottom of the screen to a moon crescent and press the ‘+’ button until you reach the time you want your second Comfort Mode to begin.
- 4) Press ‘>’ to select the ‘sun’ icon at the bottom of the screen and press the ‘+’ button until you reach the time you want your second Comfort Mode to end.
- 5) Press the ‘>’ button to change the icon at the bottom of the screen to a moon crescent and press the ‘+’ button until you reach the time you want your third Comfort Mode to begin.
- 6) Press ‘>’ to select the ‘sun’ icon at the bottom of the screen and press the ‘+’ button until you reach the time you want your third Comfort Mode to end.
- 7) Press the ‘>’ button to change the icon at the bottom of the screen to a moon crescent and press the ‘+’ button repeatedly until you reach the end of the day and ‘COPY’ will be displayed.
- 8) Press the ‘+’ button repeatedly to reveal all 7 days at the bottom of the screen and press ‘OK’ twice.
- 9) Your programme is set and ‘Auto’ and ‘U1’ will be displayed at the top of the screen.



Unit 7, Marrtree Business Park,
Grimbald Crag Close, Knaresborough HG5 8FA

Phone: 01423 733000

Email: info@bestelectricradiators.co.uk